

THIS DRAWING IS UNPUBLISHED. RELEASED FOR PUBLICATION

© COPYRIGHT

REVISIONS					
P	F	ZONE	DESCRIPTION	DATE	APPROVED
✓	✓	F1	REVISED PER ECO-11-005294	05APR11	HMR
		F2	REV PER ECO 14-009346	CT 6-14	DE

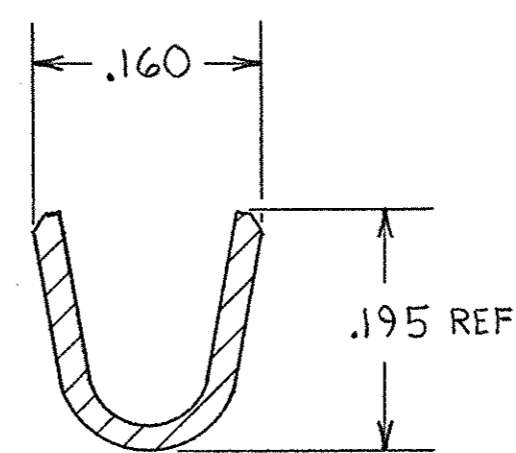
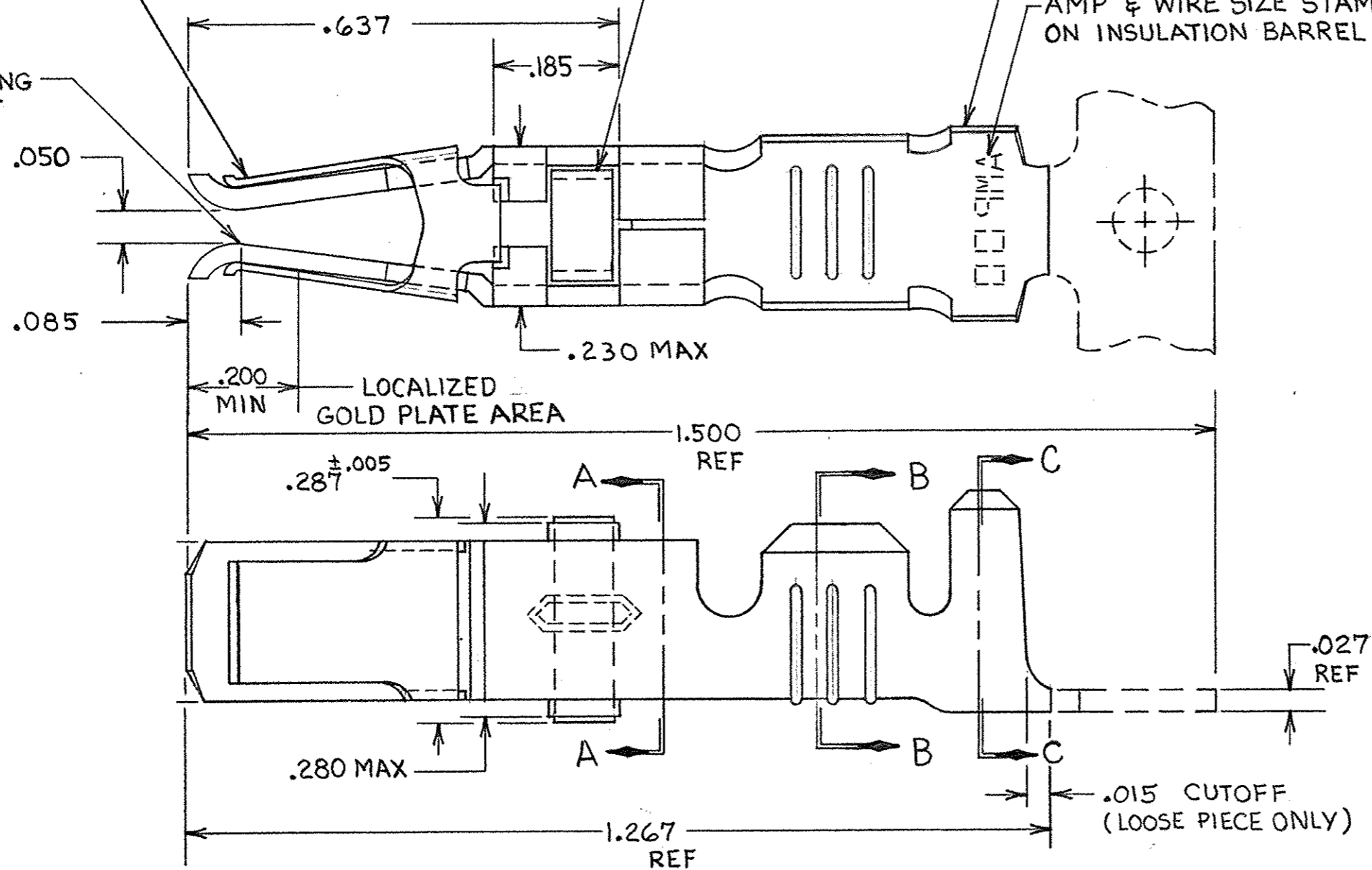
ASSIST SPRING
MATL: STAINLESS STEEL
PER QQ-S-766

TERMINAL LATCH
MATL: NYLON
COLOR: (SEE TABLE)

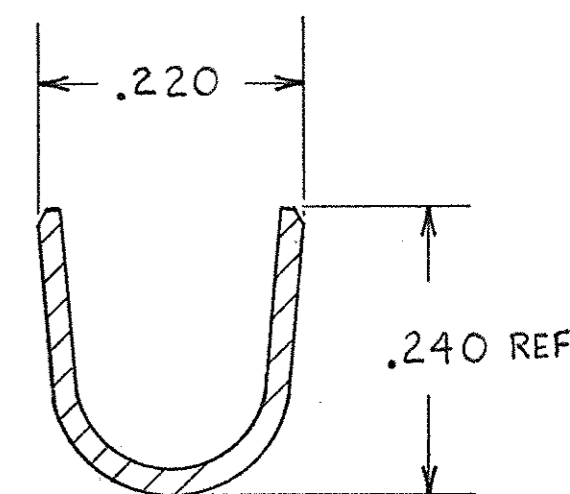
CONTACT BODY
MATL: COPPER PER QQ-C-576
FINISH: (SEE TABLE)

AMP & WIRE SIZE STAMPED
ON INSULATION BARREL

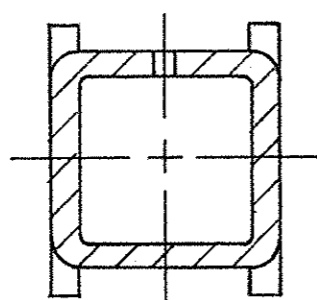
POINT OF PLATING
MEASUREMENT



SECTION B-B



SECTION C-C



SECTION A-A

1 REELED FOR USE WITH STANDARD APPLICATORS.

2 REELED FOR USE WITH HEAVY DUTY MINI-APPLICATORS.

3 PLATED WITH .000100 MIN SILVER PER QQ-S-365.

4 PLATED WITH .000015 MIN GOLD PER MIL-G-45204 IN THE LOCALIZED GOLD PLATE AREA, GOLD FLASH ON THE REMAINDER, OVER .000030 MIN NICKEL PER QQ-N-290.

5 PLATED WITH .000030 MIN GOLD PER MIL-G-45204 IN THE LOCALIZED GOLD PLATE AREA, GOLD FLASH ON THE REMAINDER, OVER .000030 MIN NICKEL PER QQ-N-290.

6 PLATED WITH .000050 MIN 93-7% TIN-LEAD ALLOY OVER .000030 MIN NICKEL PER QQ-N-290.

7. WIRE RANGE = 12-16 AWG.

8. INSULATION RANGE = .140-.165 DIA.

9 PLATED TIN (NO LEAD). 0.00050 MIN THK PER ASTM-B-595 OVER NICKEL .000030 MIN THK PER QQ-N-290.

BLACK	9	2-66740-1	2-66740-0/2
BLACK	9	2-66740-1	1-66740-9
BLACK	6	66740-8	1-66740-2
BLACK	5	66740-6	1-66740-1
BLACK	4	OBSOLETE	1-66740-0
NATURAL	3	66740-2	66740-9
BLACK	6	66740-8	66740-7
BLACK	5	66740-6	66740-5
BLACK	4	OBSOLETE	66740-3
NATURAL	3	66740-2	66740-1
TERMINAL LATCH COLOR	FINISH	LOOSE PIECE PART NO	STRIP PART NO

UNLESS OTHERWISE SPECIFIED DIMENSIONS ARE IN INCHES. TOLERANCES ON: DECIMALS ±.010 ANGLES ±.010	CONTRACT NO			
	DR	9-25-85		
	MATERIAL	SEE CALLOUT	NAME	
	FINISH	SEE DASH NO	FEMALE TYPE XII CONTACT ASSEMBLY, WITH ASSIST SPRING	
OTHER APPD		SIZE	FSCM NO	DRAWING NO
		C	00779	66740
SCALE NTS			SHEET	

CUSTOMER DRAWING

66740